

EQUIPMENT FOR OVERHEAD CONDUCTORS STRINGING

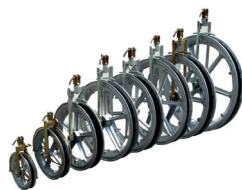
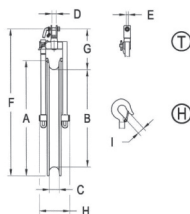
025/...

SINGLE PULLEY-BLOCK

Aluminum alloy sheave on ball-bearings, easily interchangeable nylon lining sectors (or aluminum, on request) for conductor protection.

Galvanized steel frame with swivel clevis attachment.

- Swivel clevis attachment **Mod. 025/.../T** (standard version);
- Swivel hook **Mod. 025/.../H** (on request on model 025/1 and 025/2).

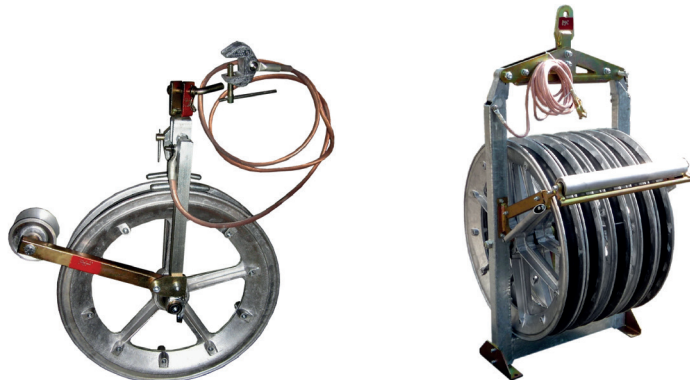


MODEL	Dimensions (mm)									Working load kN	Weight kg
	A	B	C	D	E	F	G	H	I		
025/1/...	300	230	38	21	12	420	155	140	25	20	4
025/2/...	440	350	48	21	12	559	164	176	25	20	9
025/5/...	620	500	68	30	16	834	274	200	/	33	21,5
025/3/...	755	650	68	30	16	969	274	200	/	40	26
025/3L/...	775	650	95	41	18	1005	300	231	/	40	33
025/4/...	890	800	68	30	16	1104	274	198	/	40	33
025/4L/...	910	800	95	41	18	1173	333	228	/	40	42,5
025/6L/...	1110	1000	95	41	20	1400	356	250	/	60	50
025/7L/...	1350	1200	130	36	24	1639	379	288	/	100	112

Available on request:

- Sheave's grounding device (**Mod. 025/.../... MT**) with 50mm² insulated copper cable L=6m (other lengths on request) with grounding clamp;
- Rotating rope-holding bracket (anti-fleeting device) with 180° bow frame;
- Interchangeable nylon lining sectors kit (**Mod. NYR/...**);
- Interchangeable aluminum lining sectors kit (**Mod. ALR/...**).

GROUNDING DEVICES

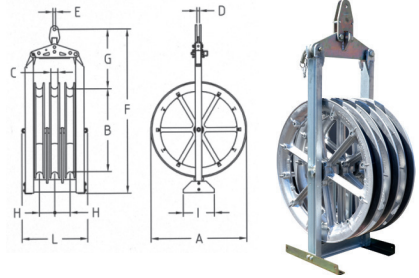




025/...

BUNDLED CONDUCTOR STRINGING BLOCK FIX FRAME VERSION

For twin and triple bundled conductors stringing operations.
Molded aluminum alloy sheaves on ball-bearings, interchangeable nylon (or aluminum) lining sectors for conductor protection.
Galvanized steel frame with 90° orientable clevis attachment.



Available on request:

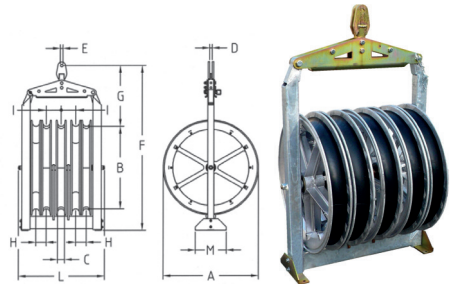
- Sheave's grounding device (**Mod. 025/.../... MT**) with 50mm² insulated copper cable L=6m (other lengths on request) with grounding clamp;
- Interchangeable nylon lining sectors kit (**Mod. NYR/...**);
- Interchangeable aluminum lining sectors kit (**Mod. ALR/...**);
- Different spacing between sheave centres.

MODEL	Dimensions (mm)										Working load		Weight
	A	B	C	D	E	F	G	H	I	L	kN	kg	
025/5/5	620	500	68	26	25	1277	583	145	300	521	40	90	
025/3/1	755	650	68	26	25	1412	583	145	300	521	60	105	
025/3/1/L	775	650	95	26	25	1487	627	175	300	611	60	130	
025/4/3	890	800	68	26	25	1597	630	145	500	525	60	138	
025/4/3L	910	800	95	26	25	1653	658	175	500	615	60	163	
025/6/3L	1110	1000	95	26	25	1893	668	175	500	627	66	187	
025/7/3L	1350	1200	130	26	25	2133	671	222	500	761	100	365	

025/...

BUNDLED CONDUCTOR STRINGING BLOCK FIX FRAME VERSION

For quad bundled conductors stringing operations.
Molded aluminum alloy sheaves on ball-bearings, interchangeable nylon (or aluminum) lining sectors for conductor protection.
Galvanized steel frame with 90° orientable clevis attachment.



Available on request:

- Sheave's grounding device (**Mod. 025/.../... MT**) with 50mm² insulated copper cable L=6m (other lengths on request) with grounding clamp;
- Interchangeable nylon lining sectors kit (**Mod. NYR/...**);
- Interchangeable aluminum lining sectors kit (**Mod. ALR/...**);
- Different spacing between sheave centres.

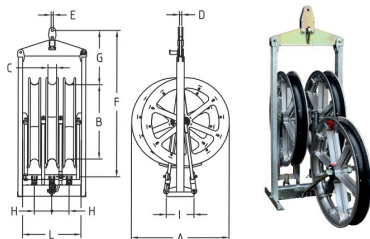
MODEL	Dimensions (mm)												Working load		Weight
	A	B	C	D	E	F	G	H	I	L	M	kN	kg		
025/5/6	620	500	68	26	25	1378	632	100	145	721	300	40	140		
025/3/2	755	650	68	26	25	1513	632	100	145	721	300	60	160		
025/3/2L	775	650	95	26	25	1553	673	145	175	901	300	60	190		
025/4/4	890	800	68	26	25	1648	633	100	145	725	500	60	175		
025/4/4L	910	800	95	26	25	1688	673	145	175	905	500	60	247		
025/6/4L	1110	1000	95	26	25	1893	668	145	175	917	500	66	280		
025/7/4L	1350	1200	130	26	25	2133	671	185	222	1131	500	100	545		

025/...SC

BUNDLED CONDUCTOR STRINGING BLOCKS DETACHABLE FRAME VERSION

For twin and triple bundled conductors stringing operations.
Molded aluminum alloy sheaves on ball-bearings, interchangeable nylon (or aluminum) lining sectors for conductor protection.

Galvanized steel frame with 90° orientable clevis attachment suspension point, designed to accommodate complete single sheave rollers **Mod. 025/...**



Available on request:

- Sheave's grounding device (**Mod. 025/.../... MT**) with 50mm² insulated copper cable L=6m (other lengths on request) with grounding clamp;
- Interchangeable nylon lining sectors kit (**Mod. NYR/...**);
- Interchangeable aluminum lining sectors kit (**Mod. ALR/...**);
- Different spacing between sheave centres.

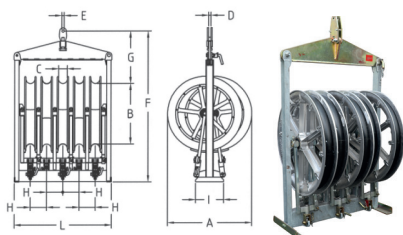
MODEL	Dimensions (mm)										Working load kN	Weight kg
	A	B	C	D	E	F	G	H	I	L		
025/5/5 SC	730	500	68	26	25	1522	671	145	300	626	40	120
025/3/1 SC	867	650	68	26	25	1657	671	145	300	626	60	143
025/3/1L SC	885	650	95	26	25	1657	645	175	300	716	60	160
025/4/3 SC	1000	800	68	26	25	1764	643	145	500	636	60	150
025/4/3L SC	1020	800	95	26	25	1822	643	175	500	720	60	202
025/6/3L SC	1219	1000	95	26	25	2022	640	175	500	720	66	227

025/...SC

BUNDLED CONDUCTOR STRINGING BLOCKS DETACHABLE FRAME VERSION

For quad bundled conductors stringing operations.
Molded aluminum alloy sheaves on ball-bearings, interchangeable nylon (or aluminum) lining sectors for conductor protection.

Galvanized steel frame with 90° orientable clevis attachment suspension point, designed to accommodate complete single sheave rollers **Mod. 025/...**



Available on request:

- Sheave's grounding device (**Mod. 025/.../... MT**) with 50mm² insulated copper cable L=6m (other lengths on request) with grounding clamp;
- Interchangeable nylon lining sectors kit (**Mod. NYR/...**);
- Interchangeable aluminum lining sectors kit (**Mod. ALR/...**);
- Different spacing between sheave centres.

MODEL	Dimensions (mm)										Working load kN	Weight kg
	A	B	C	D	E	F	G	H	I	L		
025/5/6 SC	715	500	68	26	25	1527	676	145	300	933	40	175
025/3/2 SC	867	650	68	26	25	1657	671	145	300	916	60	200
025/3/2L SC	886	650	95	26	25	1657	645	175	300	1066	60	235
025/4/4 SC	1000	800	68	26	25	1764	643	145	500	926	60	220
025/4/4L SC	1020	800	95	26	25	1887	708	175	500	1070	60	300
025/6/4L SC	1219	1000	95	26	25	2087	707	175	500	1070	66	325

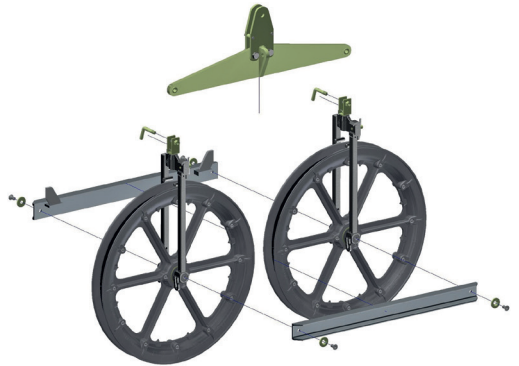
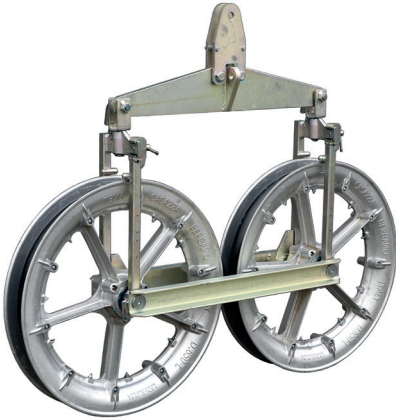
025/...

"TANDEM" CONFIGURATION FOR SINGLE OR MULTIPLE PULLEY BLOCKS

"Tandem" configuration is obtained by connecting two standard pulleys (single or multiple, standard or for helicopter use) with a dedicated galvanized steel frame kit.

Also available on request "tandem" pulley with integrated frame (fixed frame).

SINGLE VERSION



MULTIPLE VERSION



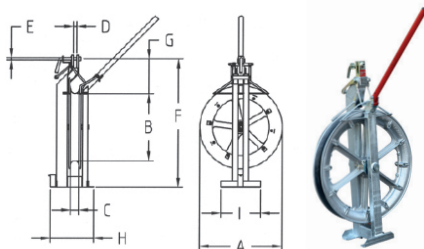
025/...E

HELICOPTER STRINGING BLOCK FOR SINGLE CONDUCTOR

Designed for helicopter pilot wire laying operations.
 Molded aluminum alloy sheaves on ball-bearings, interchangeable nylon lining sectors for conductor protection, galvanized steel frame with swivel clevis attachment.
 Complete with pilot wire holding bracket and detachable wire-guide rod

Available on request:

- Sheave's grounding device (**Mod. 025/.../... MT**) with 50mm² insulated copper cable L=6m [other lengths on request] with grounding clamp;
- Interchangeable nylon lining sectors kit (**Mod. NYR/.../...**);
- Interchangeable aluminum lining sectors kit (**Mod. ALR/.../...**);



MODEL	Dimensions (mm)										Working load		Weight
	A	B	C	D	E	F	G	H	I	kN	kg		
025/1 E	300	230	41	20	16	560	215	200	200	26	12		
025/2 E	440	350	48	20	16	700	235	245	300	26	20		
025/5 E	620	500	68	25	20	1130	404	325	300	33	45		
025/3 E	755	650	68	25	20	1265	404	277	300	40	50		
025/3L E	775	650	95	25	20	1278	418	306	300	40	60		
025/4 E	890	800	68	25	20	1401	406	277	300	40	57		
025/4L E	910	800	95	25	20	1414	419	310	300	40	65		
025/6L E	1110	1000	95	25	20	1614	416	330	500	60	99		

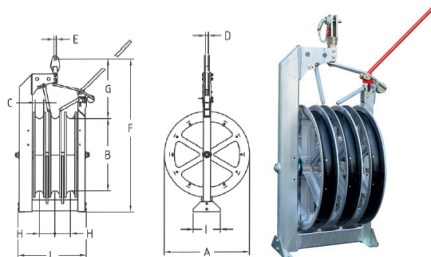
025/...E

HELICOPTER STRINGING BLOCK FOR TWIN AND TRIPLE BUNDLED CONDUCTORS

Designed for helicopter pilot wire laying operations, for 2 or 3 bundled conductors stringing operations.
 Molded aluminum alloy sheaves on ball-bearings, interchangeable nylon lining sectors for conductor protection, galvanized steel frame with clevis attachment.
 Complete with pilot wire holding bracket and detachable wire-guide rod.

Available on request:

- Sheave's grounding device (**Mod. 025/.../... MT**) with 50mm² insulated copper cable L=6m [other lengths on request] with grounding clamp;
- Interchangeable nylon lining sectors kit (**Mod. NYR/.../...**);
- Interchangeable aluminum lining sectors kit (**Mod. ALR/.../...**);
- Different spacing between sheave centres.



MODEL	Dimensions (mm)											Working load		Weight
	A	B	C	D	E	F	G	H	I	L	kN	kg		
025/5/5 E	620	500	68	25	26	1400	674	145	300	654	40	115		
025/3/1 E	755	650	68	25	26	1533	674	145	300	654	60	154		
025/3/1L E	775	650	95	25	26	1570	704	175	300	744	60	175		
025/4/3 E	890	800	68	25	26	1678	674	145	300	654	60	177		
025/4/3L E	910	800	95	25	26	1708	704	175	300	744	60	205		
025/6/3L E	1110	1000	95	25	26	1908	704	175	500	744	66	248		



026/...E

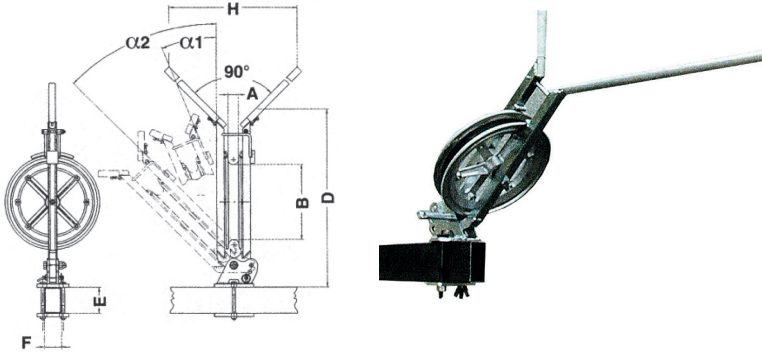
HELICOPTER BLOCK - SINGLE CONDUCTOR (ADJUSTABLE ANGLE)

Designed for HELICOPTER pilot wire laying operations, complete with adjustable angle support for cross-arm.

Molded aluminum alloy sheaves on ball-bearings, interchangeable nylon lining sectors for conductor protection, galvanized steel frame with clevis attachment.

Complete with pilot wire holding bracket and detachable wire-guide rod.

Breaking load: 6000 daN



MODEL	Dimensions (mm)											Weight
	A	B	C	D	E	F	G	H	$\alpha 1$	$\alpha 2$	kg	
026/11 E	48	350	440	870	*	*	800	1250	22.5°	45°	14	

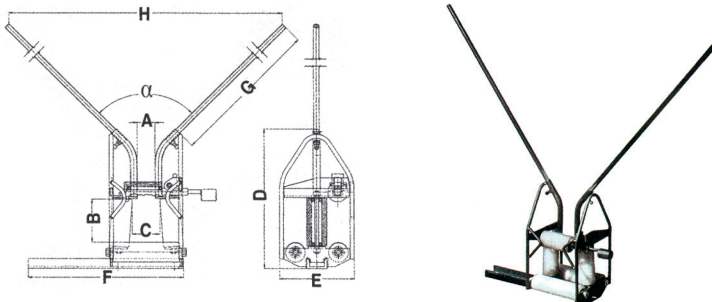
*on request based on cross arm measurement

026/...

TOWER-TOP RUNNING OUT ROLLERS FOR HELICOPTER PILOT WIRE DEPLOYMENT

Suitable for HELICOPTER pilot wire laying operations.

Nylon rollers on ball-bearings, galvanized steel frame complete with "V" shape detachable rope-guide and tower-top mounting brackets.



MODEL	Dimensions (mm)										Weight
	A	B	C	D	E	F	G	H	α°	kg	
026/10	55	130	85	415	255	445	1620	2324	22.5°	12	

EQUIPMENT FOR OVERHEAD CONDUCTORS STRINGING

025/1 FG...

GROUND WIRE PULLEY-BLOCK

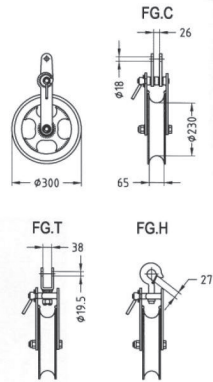
Suitable for galvanized steel ground wire.
Galvanized steel frame and sheave on ball-bearings.

Working load: 23 kN

Weight: 14 kg

Types of attachment available:

- Fix clevis **Mod. 025/1 FG.C (standard type)**
- Swivel clevis **Mod. 025/1 FG.T**
- Swivel hook **Mod. 025/1 FG.H**



0251AS/...

PULL-DOWN PULLEY-BLOCK

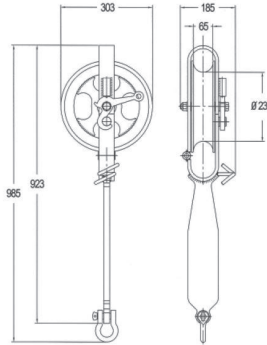
Designed to keep the pilot rope as well as conductor in the proper position while stringing between towers having a substantial height difference.

Automatic quick-release device.

Galvanized steel frame and wheel on ball-bearings.

Working load: 26 kN

Weight: 20 kg



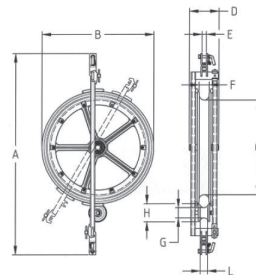
025...AS

HOLD-DOWN PULLEY-BLOCK

Suitable for conductor stringing operations at the tower top position when operating on towers with significant height difference.

Molded aluminum alloy sheave on ball-bearings,
interchangeable nylon lining sectors for conductor protection.

Opening galvanized steel frame with top and bottom swivelling clevis attachment.



MODEL	Dimensions (mm)										Breaking load kN	Breaking load (small sheave) kN	Weight kg
	A	B	C	D	E	F	G	H	L				
0255AS	1188	620	500	203	30	68	70	124	30	100	25	31	
0253AS	1341	755	650	200	30	68	70	124	30	100	25	38	
0253LAS	1378	775	650	229	41	95	83	133	41	120	25	45	
0254LAS	1513	910	800	229	41	95	83	133	41	120	25	54	