

ALUMINUM ALLOY EQUIPMENT FOR OVERHEAD LINES

011/...

SUSPENSION LADDER

Suitable for operations on overhead transmission lines

Made of light aluminum alloy, welded [Certified TIG system] with skid-proof rungs

Certified according to UNI CEN/TS 16415:2013, UNI EN 795:2012 regulations and in compliance with EU 2016/425 regulation.

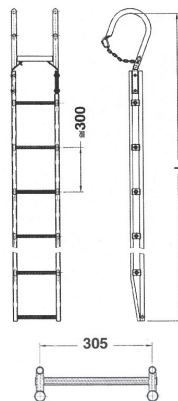
Complete with interchangeable galvanized steel hook with double safety chain.

Vertical working load 300 daN.

Upon request:

- C and A/B attachments available with opening size up to 400mm;
- Different lengths and compositions

MODEL	Sections number	Length (L)		Standard hook opening (A)		Weight
		m	mm	mm	kg	
011/2.5	1	2,5		220		9.2
011/3	1	3		220		10.3
011/3.5	1	3,5		220		11.2
011/4	1	4		220		12.3
011/5	1	5		220		14.8
011/6	1	6		220		17.2
011/6.2	2	6 (4+2)		220		17.8
011/8.2	2	8 (4+4)		220		22.6
011/10.2	2	10 (5+5)		220		27.5



011/A...

SUSPENSION LADDER

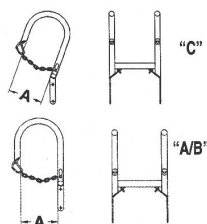
Suitable for operations on overhead transmission lines

Made of light aluminum alloy, welded [Certified TIG system] with skid-proof rungs.

Certified according to UNI CEN/TS 16415:2013, UNI EN 795:2012 regulations and in compliance with EU 2016/425 regulation.

Complete with interchangeable galvanized steel hook with double safety chain and anti-fall profile (to be used with anti-fall device **Mod. MA 29/3**).

- Vertical working load: 300 daN.



Hook type

Cross section view

Upon request:

- C and A/B attachments available with opening size up to 400mm;
- Different lengths and compositions;
- Ladder suitable for two linemen (2 antifall opposite profiles) **Mod. 011/B**.

MODEL	Sections number	Length (L)		Standard hook opening (A)		Weight
		m	mm	mm	kg	
011/A 2.5	1	2,5		220		10
011/A 3	1	3		220		11,5
011/A 3.5	1	3,5		220		12,4
011/A 4	1	4		220		13,8
011/A 5	1	5		220		17
011/A 6	1	6		220		20
011/A 6.2	2	6 (4+2)		220		20,4
011/A 8.2	2	8 (4+4)		220		26,4
011/A 10.2	2	10 (5+5)		220		32,3





011/G...

SUSPENSION LADDER/WORKING PLATFORM

Suitable for operations on overhead transmission lines, usable both horizontally and vertically.

Made of light aluminum alloy, welded [Certified TIG system] with skid-proof rungs.

Complete with interchangeable galvanized steel hook with safety chain (tower side) and swivelling/foldable hook **Mod. AG/SS** (conductor side).

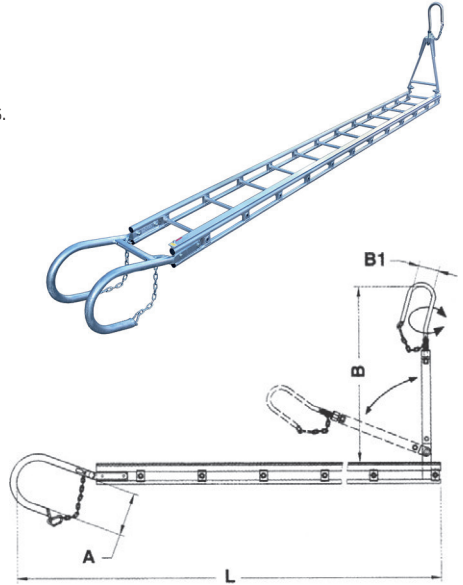
- Vertical working load 300 daN.

- Horizontal working load 100 daN.

Upon request:

- Adjustable/folding conductor side hook with nylon wheel **Mod. AG/SS-R**;

- Reinforced structure with horizontal working load of 200 daN.



MODEL	Sections number	Length (L)				Weight
		m	mm	mm	mm	
011/G 2.5	1	2,5	220	900	100	12.2
011/G 3	1	3	220	900	100	13.5
011/G 3.5	1	3,5	220	900	100	14.8
011/G 4	1	4	220	900	100	16.2
011/G 5	1	5	220	900	100	18.8
011/G 6	1	6	220	900	100	21.5
011/G 6.2	2	6 (4+2)	220	900	100	22.5

011/AG...

SUSPENSION LADDER/WORKING PLATFORM

Suitable for operations on overhead transmission lines, usable both horizontally and vertically.

Made of light aluminum alloy, welded [Certified TIG system] with skid-proof rungs, provided with anti-fall rail (to be used with the anti-fall device **Mod. MA 29/3**).

Complete with interchangeable galvanized steel hook with safety chain (tower side) and swivelling/foldable hook **Mod. AG/SS** (conductor side).

- Vertical working load 300 daN.

- Horizontal working load 100 daN.

Upon request:

- Adjustable/folding conductor side hook with nylon wheel **Mod. AG/SS-R**;

- Reinforced structure with horizontal working load of 200 daN.



Mod. "AG/SS"



Mod. "AG/SS-R"

MODEL	Sections number	Length (L)				Weight
		m	mm	mm	mm	
011/AG 2.5	1	2,5	220	900	100	13.2
011/AG 3	1	3	220	900	100	14.8
011/AG 3.5	1	3,5	220	900	100	16.3
011/AG 4	1	4	220	900	100	17.9
011/AG 5	1	5	220	900	100	21.1
011/AG 6	1	6	220	900	100	24.2
011/AG 6.2	2	6 (4+2)	220	900	100	25.2



ALUMINUM ALLOY EQUIPMENT FOR OVERHEAD LINES

011/AGG...

SUSPENSION LADDER/WORKING PLATFORM

Suitable for operations on overhead transmission lines, usable both horizontally and vertically.

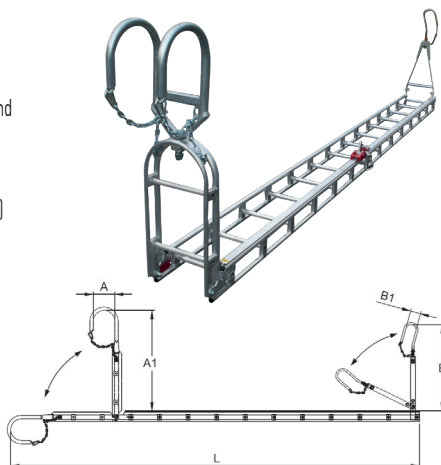
Made of light aluminum alloy, welded [Certified TIG system] with skid-proof rungs, provided with anti-fall rail (to be used with the anti-fall device **Mod. MA 29/3**).

Complete with interchangeable galvanized steel hook with safety chain (tower side) and swivelling/foldable hook **Mod. AG/SS** (conductor side).

- Vertical working load 300 daN.
- Horizontal working load 100 daN.

Upon request:

- Adjustable/folding conductor side hook with nylon wheel **Mod. AG/SS-R**;
- Reinforced structure with horizontal working load of 200 daN.



MODEL	Sections number	Length (L)	(A)	(A1)	(B)	(B1)	Weight kg
		m	mm	mm	mm	mm	
011/AGG 3	1	3	220	1000	900	100	19
011/AGG 3.5	1	3,5	220	1000	900	100	21
011/AGG 4	1	4	220	1000	900	100	22.5
011/AGG 5	1	5	220	1000	900	100	26.5
011/AGG 6	1	6	220	1000	900	100	32.5
011/AGG 6.2	1	6 (4+2)	220	1000	900	100	33.5



Mod. "AG/SS"



Mod. "AG/SS-R"

010/...

TOWER CLIMBING LADDER

Suitable to climb towers in safe conditions.

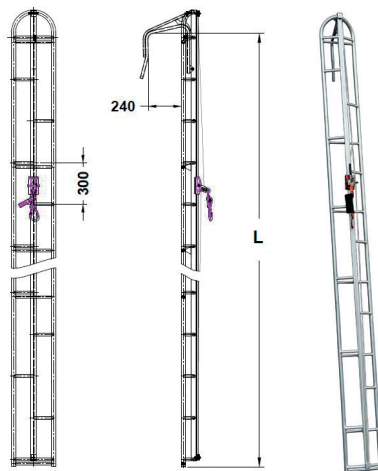
Made of light aluminum alloy, welded [Certified TIG system] with skid-proof rungs.

Certified according to UNI EN 795:2012 regulation and in compliance with EU 2016/425 regulation.

Equipped with anti-fall rail (to be used with anti-fall device **Mod. MA 29/3.R**).

- Vertical working load 150 daN.

MODEL	Length (L)	Weight
	m	kg
010/1	3,7	9
010/2	4,7	11





013/G...

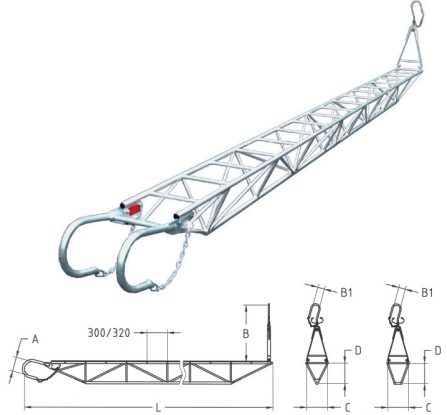
TRIANGULAR SECTION HORIZONTAL PLATFORM STRUCTURE

Suitable to be used on vertical as well as horizontal position.
 Made of light aluminum alloy, welded (Certified TIG system) with skid-proof rungs
 galvanized steel hook with safety chain (tower side) and swivelling/foldable hook
Mod. AG/SS (conductor side).

- Horizontal working load 200 daN.
- Vertical working load 300 daN.

Upon request:

- Adjustable/folding conductor side hook with nylon wheel **Mod. AG/SS-R**;
- Tower-side hook with opening size up to 400mm;
- Different lengths and compositions.



MODEL	Sections number	Length (L) m	(A) mm	(B) mm	(B1) mm	C mm	D mm	Weight kg
013/G 3.5	1	3,5	220	900	100	320	320	17
013/G 4	1	4	220	900	100	320	320	18.5
013/G 4.5	1	4,5	220	900	100	320	320	20
013/G 5	1	5	220	900	100	320	320	21.5
013/G 6	1	6	220	900	100	320	350	24.5
013/G 6.2	2	6 (4+2)	220	900	100	320	350	26
013/G 7.2	2	7 (4+3)	220	900	100	320	350	30.5
013/G 8.2	2	8 (4+4)	220	900	100	320	350	34



Mod. "AG/SS"

Mod. "AG/SS-R"

013/TP...

TRAPEZOIDAL SECTION HORIZONTAL PLATFORM STRUCTURE

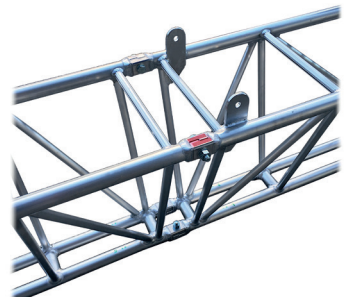
Suitable to be used on vertical as well as horizontal position.
 Made of light aluminum alloy, welded (Certified TIG system) with skid-proof rungs.
 Provided with galvanized steel hook with safety chain (tower side) and swivelling/foldable hook
Mod. AG/SS (conductor side).

- Vertical working load 300 daN.
- Horizontal working load 300 daN.

Upon request:

- Adjustable/folding conductor side hook with nylon wheel **Mod. AG/SS-R**;
- Tower-side hook with opening size up to 400mm;
- Different lengths and compositions.

MODEL	Sections number	Length (L) m	(A) mm	(B) mm	(B1) mm	C mm	D mm	Weight kg
013/TP 3.5	1	3,5	220	900	100	320	320	19
013/TP 4	1	4	220	900	100	320	320	21
013/TP 4.5	1	4,5	220	900	100	320	320	23
013/TP 5	1	5	220	900	100	320	320	24.5
013/TP 6	1	6	220	900	100	320	350	28
013/TP 6.2	2	6 (4+2)	220	900	100	320	350	29.5
013/TP 7.2	2	7 (4+3)	220	900	100	320	350	34.5
013/TP 8.2	2	8 (4+4)	220	900	100	320	350	39



ALUMINUM ALLOY EQUIPMENT FOR OVERHEAD LINES

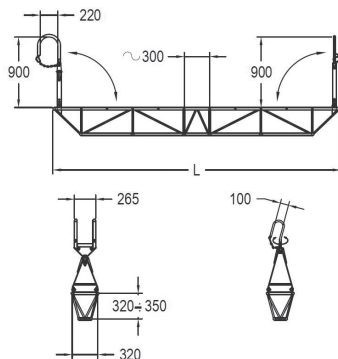
013G.GG... E 013TP.GG...

TRIANGULAR/TRAPEZOIDAL SECTION HORIZONTAL PLATFORM STRUCTURE

Suitable to be used on vertical as well as horizontal position.

Made of light aluminum alloy, welded (Certified TIG system) with skid-proof rungs galvanized foldable and twisting hook **Mod. AGG/SS** (tower side) and swivelling/foldable hook **Mod. AG/SS** (conductor side).

- Horizontal working load 200 daN (triangular) or 300 daN (trapezoidal).
- Vertical working load 300 daN.



017

RECTANGULAR SECTION HORIZONTAL PLATFORM STRUCTURE

Suitable to be used on horizontal position.

Made of light aluminum alloy, welded (Certified TIG system) with skid-proof floor "Graepel Gripp system". galvanized foldable and twisting hooks; double swivel hook (tower side), single hook with nylon roller (conductor side).

- Standard length 12m (4+4+4), other lengths upon request.
- Horizontal working load 300 daN.
- Weight 153 kg.

